

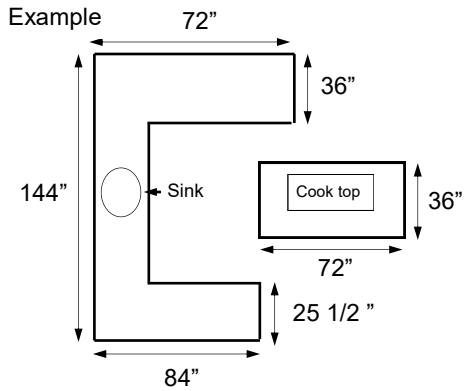
CUSTOMER:

PHONE:

How to measure your kitchen for estimating purposes
Only tool needed:— measuring tape

Step 1 Measure the length of each section of your existing countertop at the wall.
Step 2 Measure the depth of all the existing countertops.
Step 3 Mark how tall your back splash needs to be if you want one.
Step 4 Mark where your sinks and appliances are located.
Step 5 Mark the correct stove type.
Step 6 Make any adjustment in length or width that you want the new countertop to be.

Final measurements should reflect what you would like quoted.



Grid area for customer notes or additional information.

Material Quoted: GRANITE Or QUARTZ
Stove Type Wanted: Free Standing Cook top Slide-in/Drop-in
Sink Type Wanted: Drop-in Under mount
How tall does your back splash need to be? 4" 6" Other _____ No splash - using tile
*Standard granite back splashes are 4 inches tall